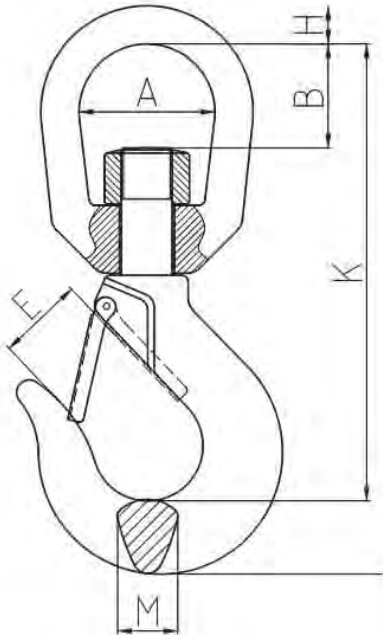


SWIVEL HOOK WITH LATCH (AS/CS)



- Available in Forged Carbon Steel and Alloy Steel
- Forged, Quenched & Tempered
- With Safety Latch
- 100% Magnaflux Crack Detection
- Can be rotated under Non-Load conditions
- Surface Finish: Powder Plastified



Model	Alloy		Carbon		A±1 (mm)	B±2 (mm)	E±2 (mm)	H±0.6 (mm)	K±4 (mm)	L±5 (mm)	M±1 (mm)	Weight (kg/pc)
	W.L.L.	B.L	W.L.L.	B.L								
TP322-A0.75T/C0.5T	0.75T	3.375T	0.5T	2.5T	32	22.5	17	9	110	137	15	0.30
TP322-A1T/C0.75T	1T	4.5T	0.75T	3.75T	32	22.5	17	9	108	136	16	0.34
TP322-A1.5T/C1T	1.5T	6.75T	1T	5T	37.5	29.5	22.5	12	130	163.5	17.5	0.64
TP322-A2T/C1.5T	2T	9T	1.5T	7.5T	42.5	33	21.5	15.8	150	192	21	1.05
TP322-A3T/C2T	3T	13.5T	2T	10T	42.5	33	26	15.8	163	209	23	1.24
TP322-A5T/C3T	5T	22.5T	3T	15T	48	39	32.5	18	191	246	33	3.98
TP322-A7T/C5T	7T	31.5T	5T	25T	64	53	43	21.5	243.5	313	34	4.00
TP322-A11T/C7.5T	11T	49.5T	7.5T	37.5T	68	53	49.5	26	277	364	41.5	7.09
TP322-A15T/C10T	15T	67.5T	10T	50T	79	62	54.5	32	332	431	55.7	12.77
TP322-A22T/C15T	22T	99T	15T	75T	105	108	87	40	427	543	70	24.50
TP322-A30T/C20T	30T	135T	20T	100T	105	96	97.5	40	465	596	76.2	34.50