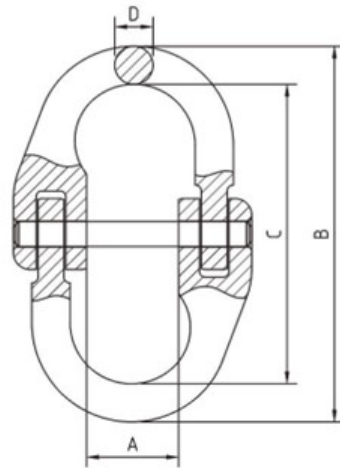


CONNECTING LINK – A6 (SPRING & SHAFT)



Spring & pin shaft

- Forged super alloy steel
- Quenched & Tempered
- 100% Magnaflux Crack Detection
- Individually proof-tested at 2.5X Working Load Limit
- Fatigue tested at 1.5X Working Load Limit for 20,000 cycles



Type	WWL (Lbs)	BL (Lbs)	Dimension in mm.				Weight (Lbs)
			A±1.5	B±2	C±2	D±1	
1/4	3250	13000	19.8	69	55	7.8	0.24
5/16	4500	18000	18	79.5	62.5	8.5	0.32
3/8	6600	16400	27	92	85.5	11.5	0.58
1/2	11250	45000	35	111	81	15	1.2
5/8	16500	66000	42	137.5	96	21	2.42
3/4	23000	92000	43	171	126	22.5	3.89
7/8	28750	115000	48	191	141.5	24.5	6.08