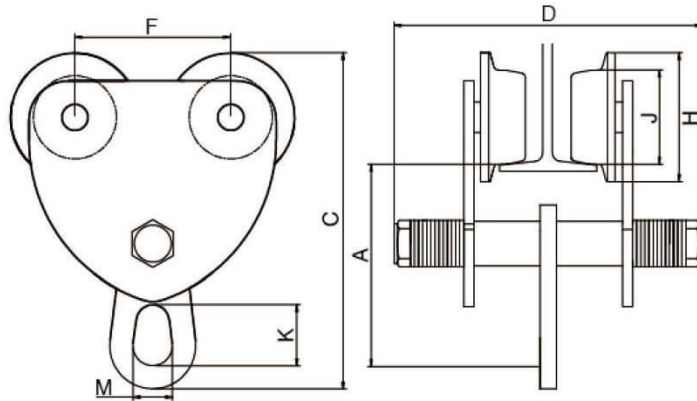


GCT 610 PLAIN TROLLEY



- Suitable for manual, electric & pneumatic hoists
- Very simple, virtually infinite adaptation to various beam flange widths
- Adjustable for wide range of beams & different profiles (e.g. : INP, IPE, IPB)

Model	Rated Load (Ton)	Test Load (Ton)	I-Beam recommended (mm)	A	B	C	D	F	H	J	K	L	M	Weight(kg)
GCT-610-0.5T	0.5	0.75	75-125	108	172	190	230	94	78	57	37	14	24	5.5
GCT-610-1.0T	1.0	1.5	75-125	123	178	209	260	102	84	60	40	16	28	8.0
GCT-610-2.0T	2.0	3.0	100-150	133	220	239	300	118	102	75	44	17	34	13.0
GCT-610-3.0T	3.0	4.5	100-150	162	254	289	320	134	120	90	60	17	34	18.0
GCT-610-5.0T	5.0	7.5	125-175	177	303	295	320	152	141	110	65	22	40	31.0
GCT-610-10T	10.0	15.0	125-180	237	387	437	370	198	189	150	90	27	57	76.0