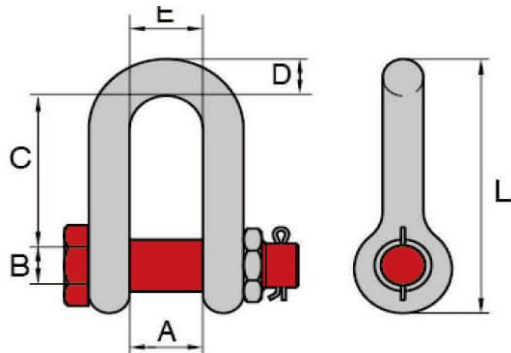


BOW SCREW PIN SHACKLE - G209 TYPE



- Also known as **Screw Pin type Anchor shackle** (G209 Type)
- Forged alloy steel with alloy pin
- Shackle Size & WLL permanently shown on each shackle



Model	W.L.L.	A (mm)	B (mm)	C (mm)	D (mm)	E (mm)	L (mm)	Weight (kg/pc)
TP-M01-3/16	0.33T	9.65	6.35	-	4.85	-	-	-
TP-M01-1/4	0.5T	11.9	7.85	19.05	6.35	24.6	40.4	0.06
TP-M01-5/16	0.75T	13.5	9.65	25.40	7.85	29.5	48.5	0.10
TP-M01-3/8	1T	16.8	11.2	30.99	9.65	35.8	58.5	0.15
TP-M01-7/16	1.5T	19.1	12.7	36.09	11.2	41.1	67.5	0.22
TP-M01-1/2	2T	20.6	16.0	41.04	12.7	46.0	77.0	0.34
TP-M01-5/8	3.25T	26.9	19.1	50.80	16.0	58.5	95.5	0.67
TP-M01-3/4	4.75T	31.8	22.4	60.45	19.1	70.0	115	1.14
TP-M01-7/8	6.5T	36.6	25.4	71.37	22.4	81.0	135	1.74
TP-M01-1	8.5T	42.9	28.7	81.03	25.4	93.5	151	2.52
TP-M01-1-1/8	9.5T	46.0	31.8	90.93	28.7	103	172	3.45
TP-M01-1-1/4	12T	51.5	35.1	100.08	31.8	115	191	4.90
TP-M01-1-3/8	13.5T	57.0	38.1	111.25	35.1	127	210	6.24
TP-M01-1-1/2	17T	60.5	41.4	122.17	38.1	137	230	8.39
TP-M01-1-3/4	25T	73.0	51.0	146.05	44.5	162	279	14.2
TP-M01-2	35T	82.5	57.0	171.45	51.0	184	312	21.2
TP-M01-2-1/2	55T	105	70.0	203.20	66.5	238	377	38.6
TP-M01-3	85T	127	82.5	215.90	76.0	279	429	56.0
TP-M01-3-1/2	120T	133	95.5	-	92.0	-	-	-
TP-M01-4	150T	140	108	-	104	-	-	-