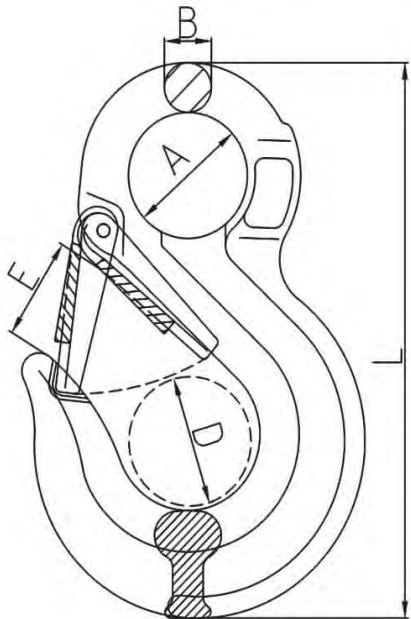


EYE SLING HOOK WITH CAST LATCH



- Forged super alloy steel; Quenched & Tempered
- Suitable for EN812-2 G80 Chain
- With Cast Latch
- 100% Magnaflux Crack Detection
- Individually proof-tested at 2.5X Working Load Limit
- Fatigue tested at 1.5X Working Load Limit for 20,000 cycles
- Surface Finish: Powder Plastified



Model	W.L.L.	B.L	B±1.5 (mm)	E±2 (mm)	D±2 (mm)	A±3 (mm)	L±2 (mm)	Weight (kg/pc)
8-TP811-06	1.12T	4.48T	9	21.5	20	20	108	0.3
8-TP811-7/8	2T	8T	11	27.5	24	25	133	0.4
8-TP811-10	3.15T	12.6T	15	27.2	38	38	167	0.9
8-TP811-13	5.3T	21.2T	19	38.5	51	43	213	2.2
8-TP811-16	8T	32T	23	42	62	50	255	3.2
8-TP811-20	12.5T	50T	24	44.6	74.8	63	305	5.8
8-TP811-22	15T	60T	32	70	68	62	348	9.2
8-TP811-26	21.2T	84.8T	35	84	84	64	394	13.0
8-TP811-32	31.5T	126T	37	102	100	88	480	18.5