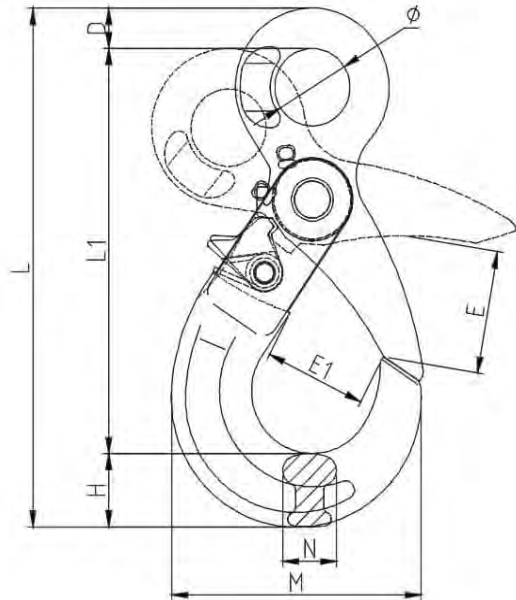


EYE SELF LOCKING HOOK



- Forged super alloy steel; Quenched & Tempered
- Suitable for EN812-2 G80 Chain
- 100% Magnaflux Crack Detection
- Individually proof-tested at 2.5X Working Load Limit
- Fatigue tested at 1.5X Working Load Limit for 20,000 cycles
- Surface Finish: Powder Plastified
- Positive lock latch is self-locked when the hook is loaded



Model	W.L.L.	B.L	ϕ (mm)	E (mm)	E1 (mm)	L1 (mm)	L (mm)	H (mm)	D (mm)	N (mm)	M (mm)	Weight (kg/pc)
8-TP807-06	1.12T	4.48T	21±1	32±2	28±1	110±3	130±3	20±1	11±0.5	15±0.5	73±2	0.50
8-TP807-7/8	2T	8T	25±1	40±3	35±1	136±3	175±3	26±1	13±0.5	20±0.5	91±2	0.85
8-TP807-10	3.15T	12.6T	34.5±1.5	48±3	45±1.5	168±3	213±3	30±1.5	15±0.5	26±1	108±2	1.42
8-TP807-13	5.3T	21.2T	39.5±1.5	65±3	52.5±2	207±4	267±4	40±1.5	21±0.5	33±1	142±3	2.86
8-TP807-16	8T	32T	50±2	65±3	63±2	254±4	332±4	50.5±2	27±0.5	38±2	168.6±3	5.90
8-TP807-20	12.5T	50T	64.5±2	82±3.5	82±2	178±5	360±5	55±2	27±0.5	50±2	185±4	8.50
8-TP807-22	15T	60T	70±3	80±3.5	76±2	319±5	415±5	67±2	32±1	52±2	202±4	11.6
8-TP807-26	21.2T	84.8T	80±3	109±3.5	96±3	362±6	472±5	75±3	34±1	60±3	239±5	18.0
8-TP807-32	31.5T	126T	105±4	131±3.5	131±3	470±6	614±5	97±3	45±1	79.5±3	329±5	46.0