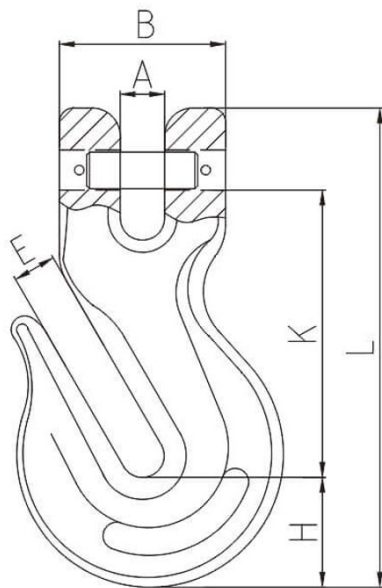


CLEVIS GRAB HOOK



- Forged super alloy steel; Quenched & Tempered
- Suitable for EN812-2 G80 Chain
- 100% Magnaflux Crack Detection
- Individually proof-tested at 2.5X Working Load Limit
- Fatigue tested at 1.5X Working Load Limit for 20,000 cycles



Model	W.L.L.	B.L	A±2 (mm)	B±2 (mm)	E±2 (mm)	H±3 (mm)	K±3 (mm)	L±3 (mm)	Weight (kg/pc)
8-TP818-1/4	1.2T	4.8T	8	34	8	19.5	57	90.5	0.22
8-TP818-9/32	2T	8T	9.5	41	9.5	23	65.3	106.5	0.31
8-TP818-3/8	3.2T	12.8T	12.7	46	12.5	31	82	137	0.70
8-TP818-1/2	5.4T	21.6T	16	61	16.7	43	113	184.5	1.8
8-TP818-5/8	8.2T	32.8T	19.5	68.5	20	49	129.5	215	3.1
8-TP818-3/4	12.8T	51.2T	24	88	24	58	152	254	4.1
8-TP818-7/8	15.5T	62T	27	101	26	64.8	178	295	6.2

Above Working Load Limit is based on side pull