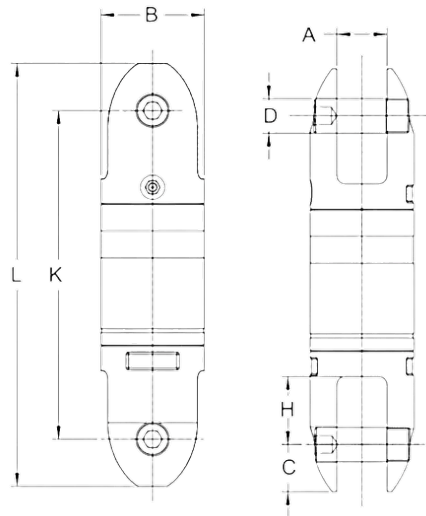


# ANGULAR CONTACT BEARING SWIVEL

## BULLET TYPE – JAW & JAW

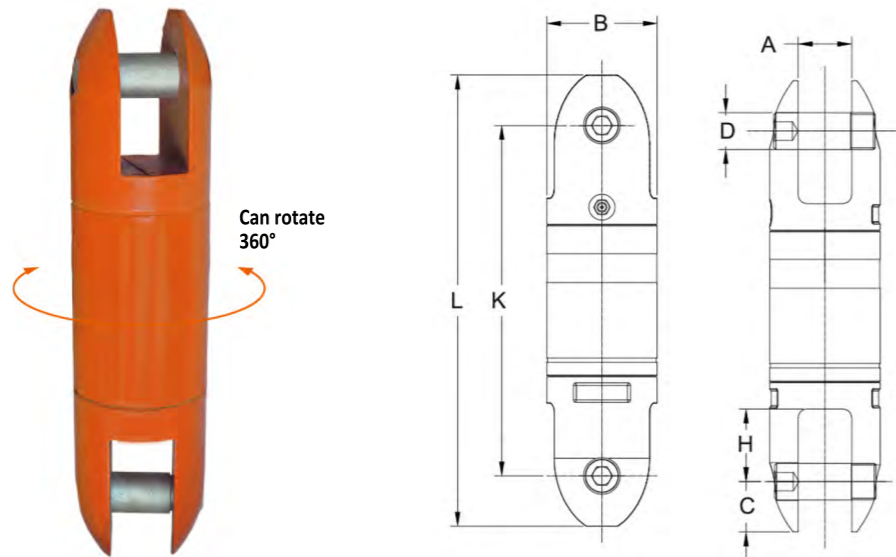


- Forged super alloy steel; Quenched & Tempered
- Design Safety Factor 4 : 1
- Individually proof-tested at 2X Safe Working Load
- Galvanized / Plastic Coated
  - Better Corrosion Resistance
  - Better Service Life

MODEL	SIZE	WWL (Tons)	SIZE (mm)							(Kg)
			B	K	L	C	A	D	H	WEIGHT
BL087-007	0.75	0.75	34.0	107.0	131.0	12.0	15.0	10.0	22.0	0.5
BL087-015	1.50	1.50	40.0	119.0	131.0	16.0	18.0	12.0	26.0	0.8
BL087-030	3.00	3.00	53.0	160.0	210.0	25.0	23.0	16.0	32.0	2.0
BL087-050	5.00	5.00	67.0	205.0	267.0	31.0	32.0	22.0	37.0	3.9
BL087-085	8.50	8.50	78.0	246.0	316.0	35.0	37.0	24.0	50.0	6.7
BL087-100	10.00	10.00	106.0	316.0	408.0	46.0	42.0	38.0	53.0	18.6
BL087-150	15.00	15.00	119.0	330.0	426.0	48.0	48.0	38.0	56.0	19.9
BL087-250	25.00	25.00	137.0	403.0	525.0	61.0	62.0	50.0	69.0	36.5
BL087-350	35.00	35.00	154.0	423.0	545.0	61.0	62.0	50.0	69.0	47.6

## ANGULAR CONTACT BEARING SWIVEL -STYLES

- ◆ Forged super alloy steel-Quenched and Tempered.
- ◆ The design safety factor is 4:1.
- ◆ The independent test load during test certification should be twice the safe working load.
- ◆ The surface is galvanized or plastic coated, so that the product can have better corrosion resistance and service life.
- ◆ Grease fittings are provided for easy maintenance and better product performance.

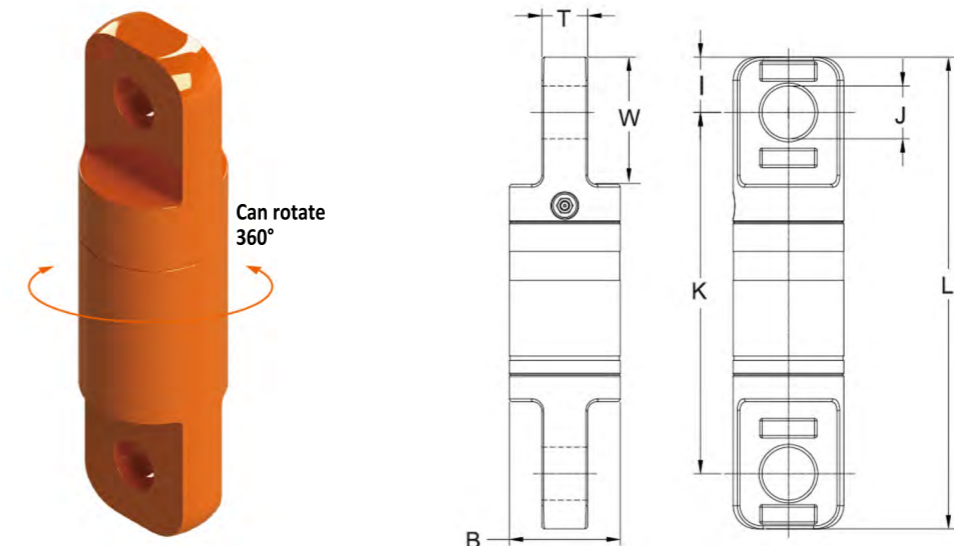


ITEM NO.	SIZE	WLL/T	SIZE(mm)							WEIGHT(Kg)
			B	K	L	C	A	D	H	
BL087-007	0.75	0.75	34	107	131	12	15	10	22	0.5
BL087-015	1.5	1.5	40	119	131	16	18	12	26	0.8
BL087-030	3	3	53	160	210	25	23	16	32	2.0
BL087-050	5	5	67	205	267	31	32	22	37	3.9
BL087-085	8.5	8.5	78	246	316	35	37	24	50	6.7
BL087-100	10	10	106	316	408	46	42	38	53	18.6
BL087-150	15	15	119	330	426	48	48	38	56	19.9
BL087-250	25	25	137	403	525	61	62	50	69	36.5
BL087-350	35	35	154	423	545	61	62	50	69	47.6

Warning: never exceed working load limit !

## ANGULAR CONTACT BEARING SWIVEL -OO

- ◆ Forged super alloy steel-Quenched and Tempered.
- ◆ The design safety factor is 4:1.
- ◆ The independent test load during test certification should be twice the safe working load.
- ◆ The surface is galvanized or plastic coated, so that the product can have better corrosion resistance and service life.
- ◆ Grease fittings are provided for easy maintenance and better product performance.



TEM NO.	SIZE	WLL/T	SIZE(mm)							WEIGHT (Kg)
			B	K	L	I	T	J	W	
BL088-007	0.75	0.75	34	107	133	13	12	10.5	35	0.5
BL088-015	1.5	1.5	40	119	159	20	15	13.5	46	0.9
BL088-030	3	3	53	160	210	25	20	20	57	2.1
BL088-050	5	5	67	203	267	32	26	33	69	4.3
BL088-085	8.5	8.5	78	250	326	38	32	37	92	7.3
BL088-100	10	10	106	310	410	50	42	44	104	17.0
BL088-150	15	15	119	320	440	60	49	54	117	21.2
BL088-250	25	25	137	405	545	70	60	66	140	39.0
BL088-350	35	35	154	415	555	70	60	66	140	45.8
BL088-600	60	60	270	670	890	110	75	80	230	253

Warning: never exceed working load limit !