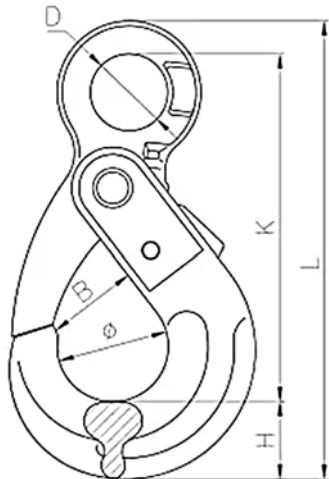


EYE SELF LOCKING HOOK – FLAT TRIGGER TYPE



Flat-Surface Release
Trigger System

- Forged super alloy steel; Quenched & Tempered
- Suitable for EN812-2 G80 Chain
- 100% Magnaflux Crack Detection
- Individually proof-tested at 2.5X Working Load Limit
- Fatigue tested at 1.5X Working Load Limit for 20,000 cycles
- Surface Finish: Powder Plastified
- Flat-Surface Release Trigger System
- Positive lock latch is self-locked when the hook is loaded



| ITEM NO. | WWL (Tons) | Breaking Load (Tons) | B±1.5 | D±1.5 | H±1 | K±2 | L±3 | ø±2 | WEIGHT (Kg) |
|--------------|------------|----------------------|-------|-------|-----|-----|-----|-----|-------------|
| 8-SLR008-06 | 1.2 | 4.8 | 29 | 19.8 | 20 | 100 | 130 | 34 | 0.48 |
| 8-SLR008-7/8 | 2 | 8 | 35 | 25 | 29 | 132 | 173 | 42 | 0.98 |
| 8-SLR008-10 | 3.2 | 12.8 | 42 | 32.5 | 31 | 171 | 217 | 55 | 1.85 |
| 8-SLR008-13 | 5.4 | 21.6 | 55 | 42 | 41 | 213 | 272 | 65 | 3.76 |
| 8-SLR008-16 | 8.2 | 32.8 | 66 | 56 | 52 | 256 | 330 | 76 | 5.3 |