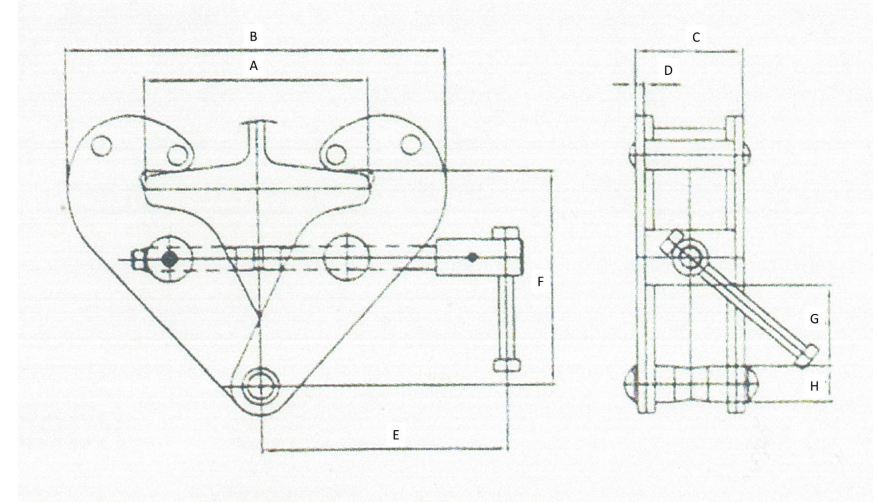


Beam Clamp - JT Type



- Designed for secure grip on attached Beam
- High Quality Alloy Steel



*All dimension in MM, unless otherwise specified

WLL (TONS)	ADJUSTABLE BEAM	A (MAX)	B (MAX)	B (MIN)	C	D	E	F (MAX)	F (MIN)	G	H	WEIGHT (KG)
1	75-220	260	360	180	64	5	215	155	102	25	22	4.5
2	75-220	260	360	180	74	6	215	155	102	25	22	5.2
3	80-320	354	490	235	103	8	260	225	140	45	24	10
5	80-320	354	490	235	110	10	260	225	140	45	28	11.1
10	90-320	365	505	320	120	12	280	235	170	50	40	20