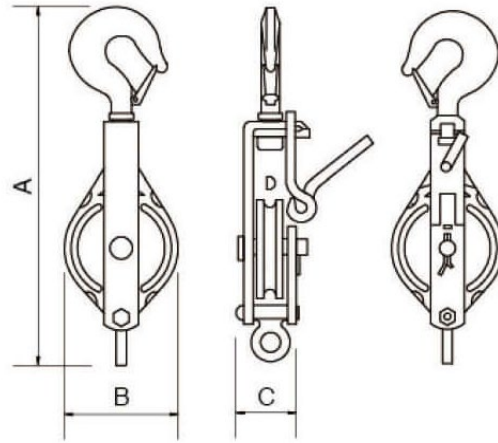


SNATCH BLOCK WITH BECKET - EYE TYPE (BLACK VIPER)



Trawl block is an easy-to-use, versatile, manual lifting equipment;

Used in: factories, mines, agriculture, production of electricity, building construction, dock ships, warehouses, machine installation, cargo lifting, etc...

Model	Type		S.W.L.	Sheave Dia D(mm)	Dimensions(mm)				For Wire Dia (mm)	Weight (kg/pc)
	Hook	Eye			Hook A1	Eye A2	B	C		
TP-75CYX1S	75CYX1S	75CYX1SO	0.5T	75	286	227	87	50	8	1.6
TP-100CYX1S	100CYX1S	100CYX1SO	1T	100	311.5	284.5	112	55.5	10	3.5
TP-125CYX1S	125CYX1S	125CYX1SO	1.5T	125	370	344	140	63.5	13	4.6
TP-150CYX1S	150CYX1S	150CYX1SO	2T	150	442.5	417	168	101	16	7.7
TP-180CYX1S	180CYX1S	180CYX1SO	3T	180	498	478	204	107	19	11.0
TP-200CYX1S	200CYX1S	200CYX1SO	4T	200	590.5	556	226	128	22	19.3
TP-250CYX1S	250CYX1S	250CYX1SO	5T	250	590.5	651	276	147	25	33.8
TP-300CYX1S	300CYX1S	300CYX1SO	6T	300	795	775	330	162	26	48.0
TP-350CYX1S	350CYX1S	350CYX1SO	10T	350	934	898	395	178	28	66.0