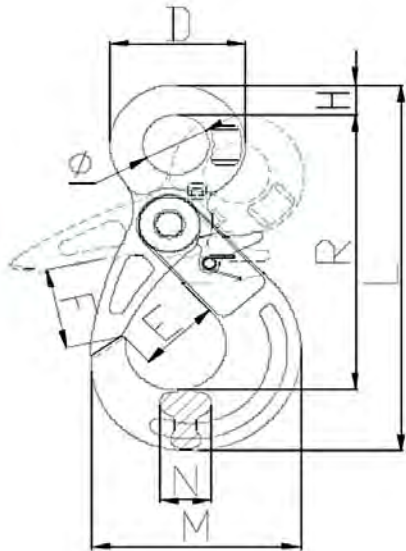


# EYE SELF LOCKING HOOK – G100 TYPE



- Forged super alloy steel; Heat Treated
- 25% increased performance compared to G80 Type
- Suitable for G100 Chain
- 100% Magnaflux Crack Detection
- Individually proof-tested at 2.5X Working Load Limit
- Surface Finish: Powder Plastified
- Positive lock latch is self-locked when the hook is loaded



ITEM NO.	WEIGHT (kg)	WLL (T)	B.L (T)	DIMENSION (MM)								
				Ø	D	E	F	R	M	N	L	H
10-SLR1005-06	0.5	1.4	5.6	21±1	43±1	27±2	30±2	110±4	70±2	15±1	141±4	11±1
10-SLR1005-07	0.81	1.9	7.6	27±1	51±1	30±2	33.5±2	127±4	81±2	17±1	162±4	12±1
10-SLR1005-08	0.9	2.5	10	27±1	51±1	35±3	38±3	137±4	90±3	20±1	175±4	12±1
10-SLR1005-10	1.5	4	16	34.5±2	64.5±2	43±3	52±3	170±5	108±3	26±2	212±5	15±1
10-SLR1005-13	2.7	6.7	26.8	40±2	80±2	51.5±3	63±4	209±5	137.5±4	32.5±2	269±5	20±2
10-SLR1005-16	5.7	10	40	50±3	104±3	59±4	71±4	256±6	170.5±4	38±3	333±6	27±2
10-SLR1005-20	7.9	16	64	60±3	124±3	74.5±4	77±5	277±6	191.5±5	50±3	368.5±6	30±2
10-SLR1005-22	11.2	19	76	70±3	139±3	78±4	92±5	319±8	205±5	52±3	417±8	33±2