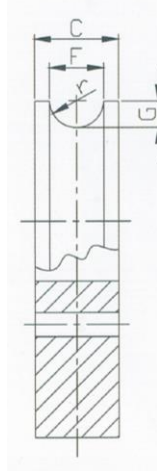
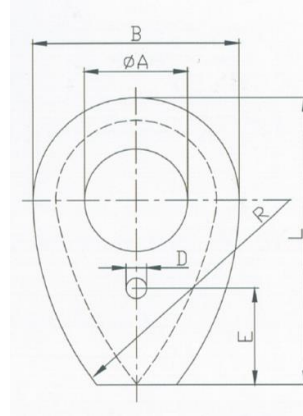


STEEL WIRE ROPE THIMBLE - SOLID HEAVY DUTY - JIS DEAD EYE TYPE



(mm)				Dimension (mm)										(Kg)		
Nominal Size	F max	F min	C	A	B	L	R	Gmax	D	E	Weight					
8	9.2	8.6	14		20		40		56		59		6			0.08
10	11.5	10.8	17.5	0	25	+0.149	50		70		74	+3	7.5			0.17
12	13.8	12.9	21	-1.4	30	+0.065	60	±2	84	±3	89	0	9	5	20	0.32
14	16.1	15.1	24.5		35		70		98		104		10.5			0.5
16	18.4	17.2	28		40	+0.180	80		112		118		12			0.78
18	20.7	19.4	31.5	0	45	+0.080	90	±4	126	±6	133	+6	13.5			1.14
20	23	21.5	35	-2.8	50		100		140		148	0	15			1.41
22	25.3	23.7	38.5		55		110		154		163		16.5			1.96
24	27.6	25.8	42		60	+0.220	120		168		178		18			2.41
26	29.9	28	45.5	0	65	+0.100	130	±6	182	±9	193	+9	19.5	10	30	3.46
28	32.2	30.1	49	-3.4	70		140		196		207	0	21			4.3
32	36.8	34.4	56		80		160		224		237		24			6.46
36	41.4	38.7	63		90	+0.260	180		252		267		27			9.77
40	46	43	70	0	100	+0.120	200	±9	280	±13	296	±13	30			12.94
44	50.6	47.3	77	-4.4	110		220		308		326	0	33			17.02
48	55.2	51.6	84		120		240		336		356		36			22.75
52	59.8	55.9	91		130	+0.305	260		364		385		39	15	45	28.41
56	64.4	60.2	98	0	140	+0.145	280	±13	392	±18	415	±19	42			35.56
60	69	64.5	105	-5.5	150		300		420		445	0	45			48.35