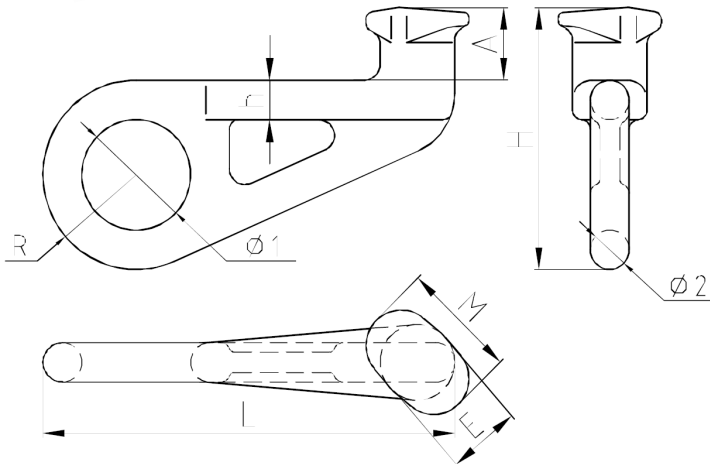


CONTAINER LIFTING HOOK – RIGHT



- **Right 45° Type**
- Forged super alloy steel; Quenched & Tempered
- 100% Magnaflux Crack Detection
- Individually proof-tested at 2.5X Working Load Limit
- Fatigue tested at 1.5X Working Load Limit for 20,000 cycles
- Surface Finish: Powder Plastified



ITEM NO.	WEIGHT (KG)	WLL (T)	B.L (T)	A±1	M±1	H±2	h±1	E±2	R±1	Ø1±1	Ø2±1	L±2
8-SLR633-R	4.125	12.5	50	46	75	166	25	48	60	70	25	265