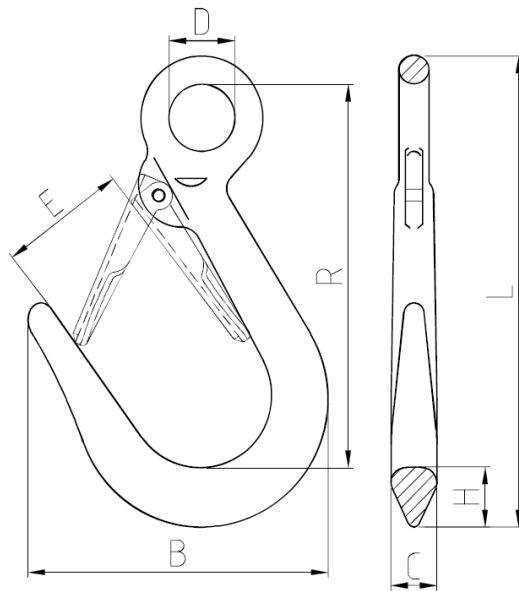


# EYE FOUNDRY HOOK WITH LATCH



- Forged alloy steel
- High strength & Good ductility
- Large throat opening
- Small cross area
- Ultimate Load is 2 x WLL
- **Only for general hoist**
- **NOT for overhead lifting**



\*length in mm; \*\* 1metric ton ~ 2204.6 lbs

WWL (lbs)	Breaking Load (lbs)	D±1	L±3	B±2	C±1	R±2	E±2	H±2	Weight (kg)
5000	10000	23	162	97	16	133	37	20.6	0.88
7000	14000	22	168	108	20.3	134	40	24	1.43