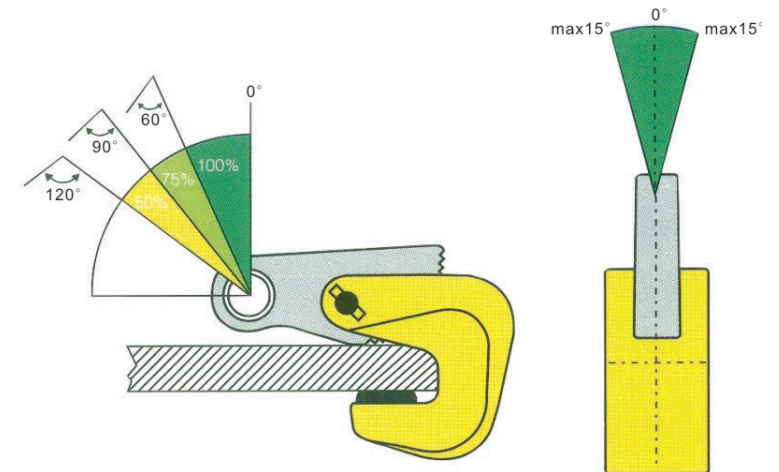
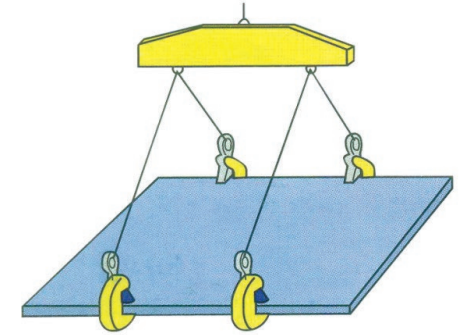


# Horizontal Lifting Clamp - SP Type (SUMO)



- High quality carbon steel
- Suitable to Lift & transport steel plates, construction & profiled bar in horizontal position
- W.L.L (working load limit) is the maximum load the clamp are authorized to support when used in-pairs with a lift angle of 60°
  - the clamps can be used in-pairs or multiples during lifting operation



Model	WLL (TONS)	JAW OPENING (MM)	WEIGHT (KG)
SP1	1	0-30	4
SP2	2	0-50	5.5
SP3.2	3.2	0-60	8
SP5	5	10-80	11.5
SP6	6	10-100	14.5
SP10	10	20-120	30