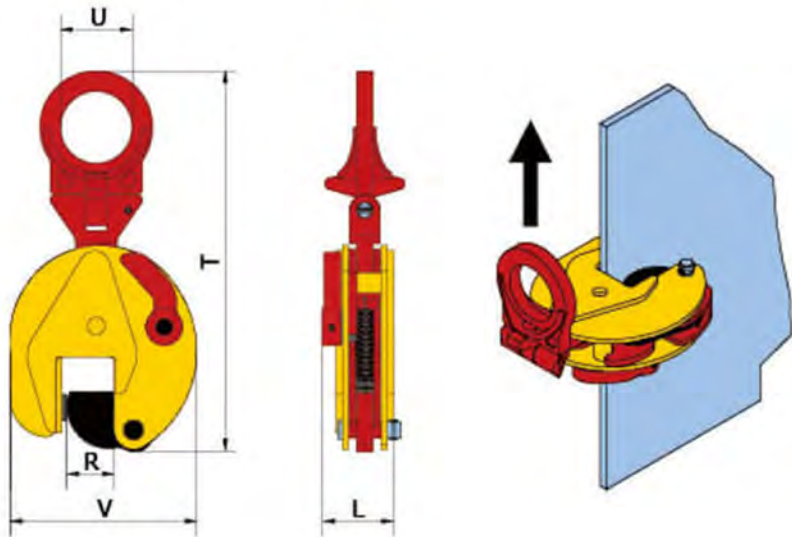


Universal Lifting Clamp - SU Type - SUMO

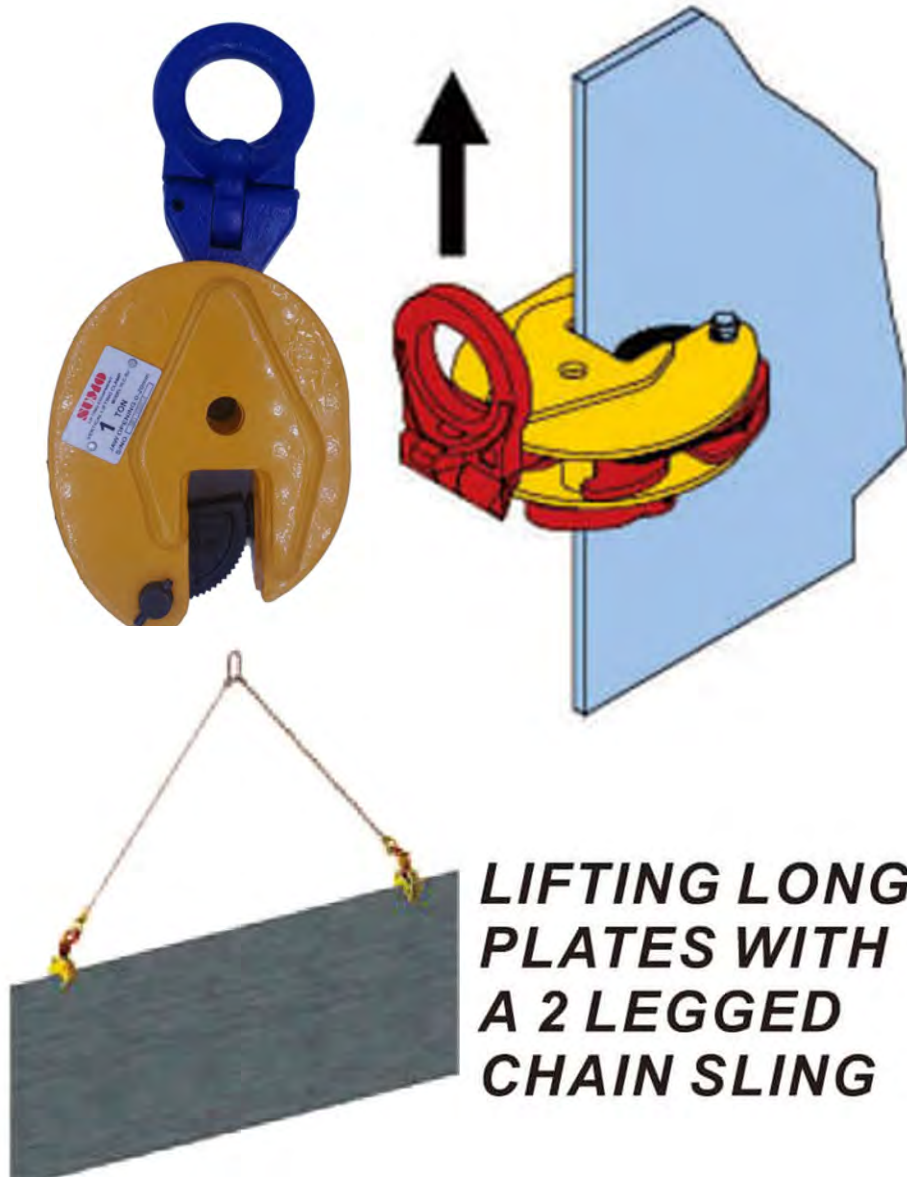


- Lifting and transporting steel plates, & structures from all position
 - Horizontal, vertical & sidelong
- CD lifting clamps equipped with pre-tension mechanism
 - Ensures clamps does not slip when lifting force applied, and when load is being lowered
- Articulated lifting shackle
- Clamp is locked in closed, as well as in open position



Model	Jaw Opening (mm)	Load Capacity (kg)	T (mm)	U (mm)	V (mm)	L (mm)	Weight (kg)
CD-0.5T	0 - 15	500	205	30	105	48	2
CD-1.0T	0 - 20	1000	300	50	145	66	5
CD-2.0T	0 - 25	2000	385	68	175	75	8
CD-3.2T	0 - 30	3200	430	75	215	102	15
CD-5.0T	0 - 50	5000	500	68	232	112	23
CD-8.0T	0 - 45	8000	600	88	290	125	37
CD-12.0T	50 - 90	12000	700	90	420	128	50
CD-16.0T	60 - 100	16000	710	100	445	128	65
CD-20.0T	0 - 80	20000	948	100	563	140	160
CD-30.0T	10 - 90	30000	944	100	568	142	167

Universal Lifting Clamp - SU Type - SUMO



NB:

The plate surface of the material must have a hardness below HRC30 / Brinell 300

Care & Usage:

- DO NOT lift loads less than 10% of W.L.L (working load limit) of clamp
- DO NOT lift plates with temperature $> 100\text{ }^{\circ}\text{C}$
- DO NOT use to lift stainless steel, lead or copper

